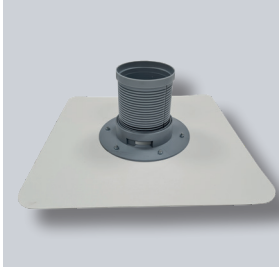


TECHNICAL DATA SHEET

ND AFC-100 Adjustable Flow Control



ND AFC-100 Adjustable Flow Control

Universal flow control system equipped with mechanical flange, adjustable discharge and overflow.

Application

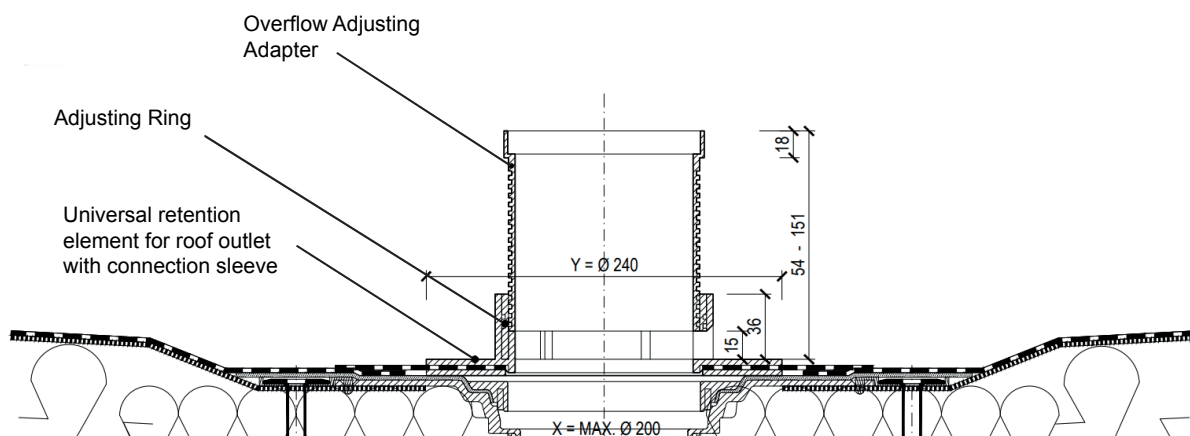
The ND AFC-100 is installed in combination with the ND WSE lte/lt/hd Water Retention Elements for extensive, intensive and trafficable water retention roof installations. It is installed to support the temporarily storage of water on the roof by restricting the discharge values in line with the hydraulic calculation and modelling. Depending on the chosen water storage level (50mm, 65mm, 80mm, 100mm and 150mm) and chosen slider position of the ND AFC-100 can discharge values be reduced down to even 0,09 l/s.

Equipped with a mechanical flange can the installation of the ND AFC-100 be adjusted to the requirements on site by creating a connection sleeve with the waterproofing material used on site.

Properties:

- Materials: Polyamid PA6 with glass fibers, EPDM O-Rings and stainless steel fasteners.
- Material Flange: Can be adjusted to the waterproofing used on the project.
- Discharge Values: Can be adjusted, depending on the water level, in 27 steps from 0,09 l/s up to 3,08 l/s.
- Supply: Supplied in a carton without connection sleeve.

Product	Dimensions (L x W x H)	Packaging
ND AFC-100 Adjustable Flow Control	approx. 495 mm x 495 x 175 mm	In carton



nophadrain[®]
SMART GREEN ROOF SYSTEMS

Nophadrain BV
Mercuriusstraat 10
6468 ER Kerkrade
The Netherlands

+31 (0)45 535 50 30
info@nophadrain.com

www.nophadrain.com

ELEMENTS OF ND AFC-100 ADJUSTABLE FLOW CONTROL

Overflow Adjusting Adapter

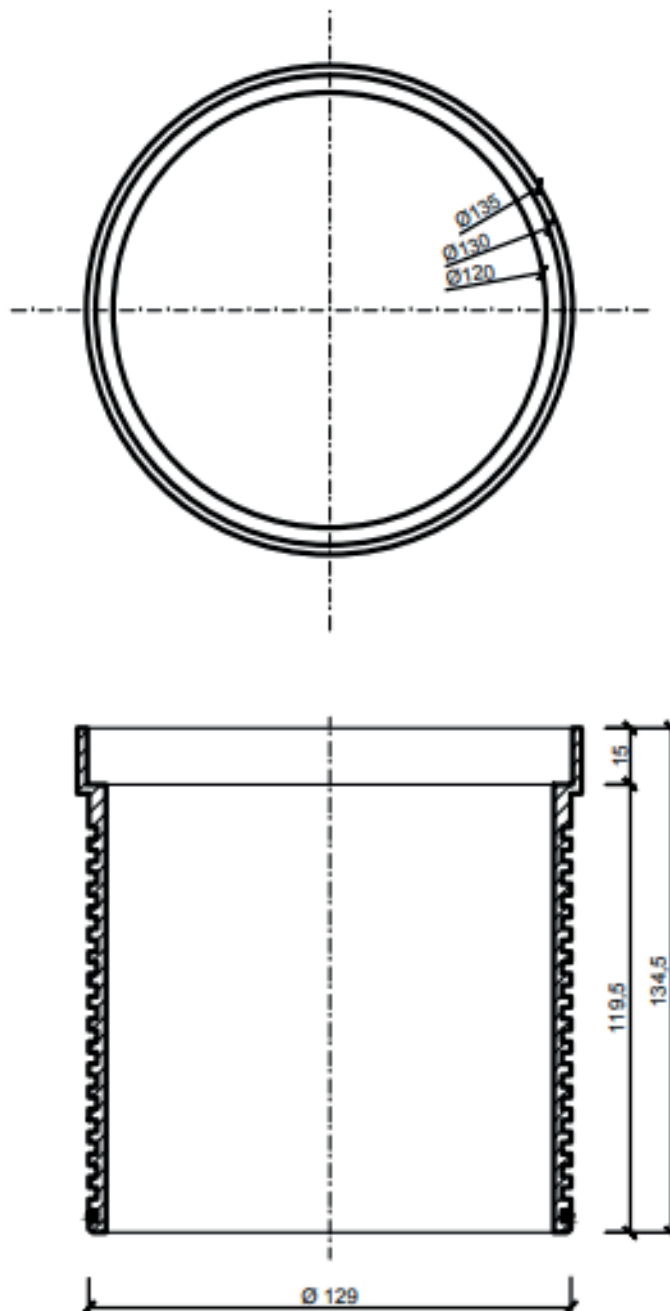


Overflow Adjusting Adapter

Overflow Adjusting Adapter

Properties

- Material: Polyamide PA6 with glass fibers



ELEMENTS OF ND AFC-100 ADJUSTABLE FLOW CONTROL

Overflow Adjustable Ring

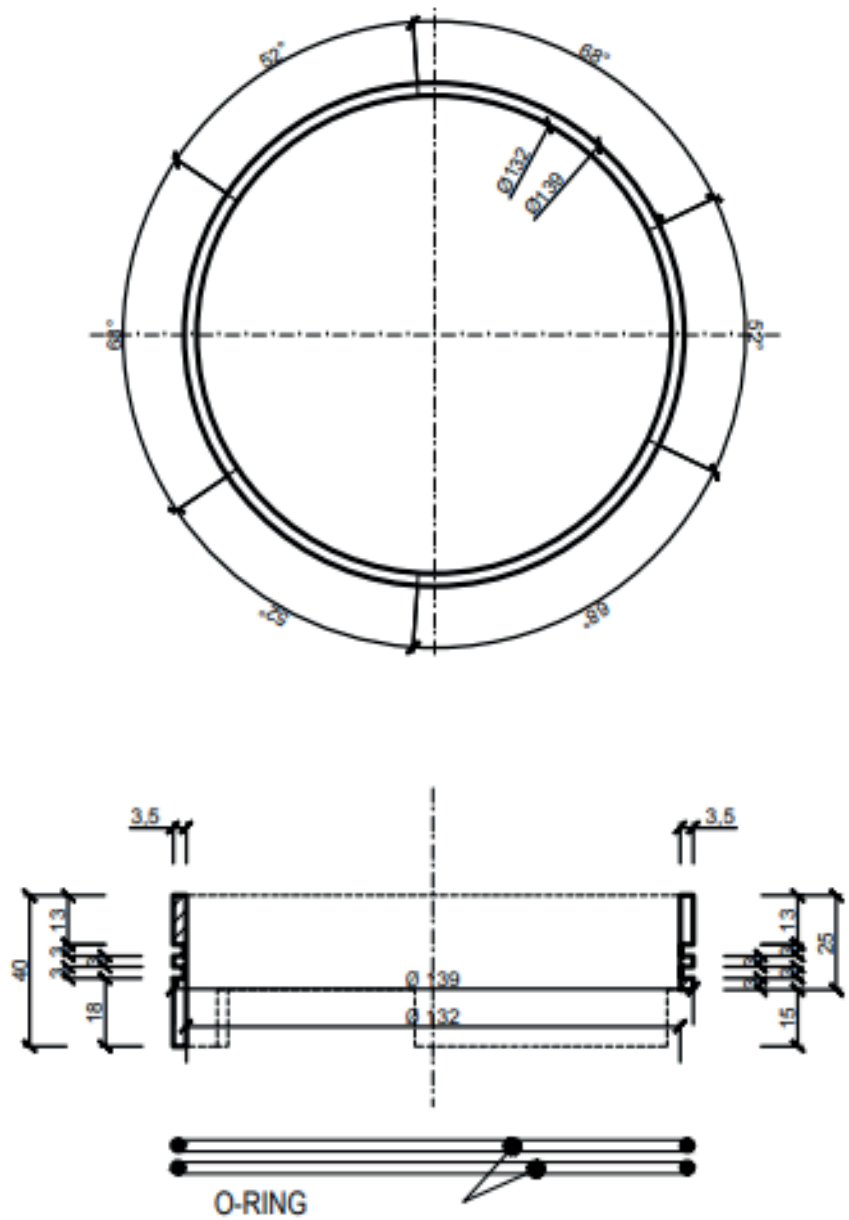


Overflow Adjustable Ring

Overflow Adjusting Ring

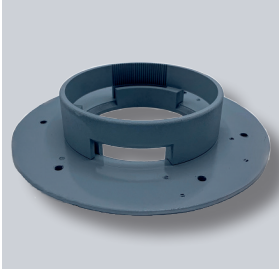
Properties

- Material: Body - Polyamide PA6 with glass fibers, O-ring EPDM



ELEMENTS OF ND AFC-100 ADJUSTABLE FLOW CONTROL

Adjustable Retention Element

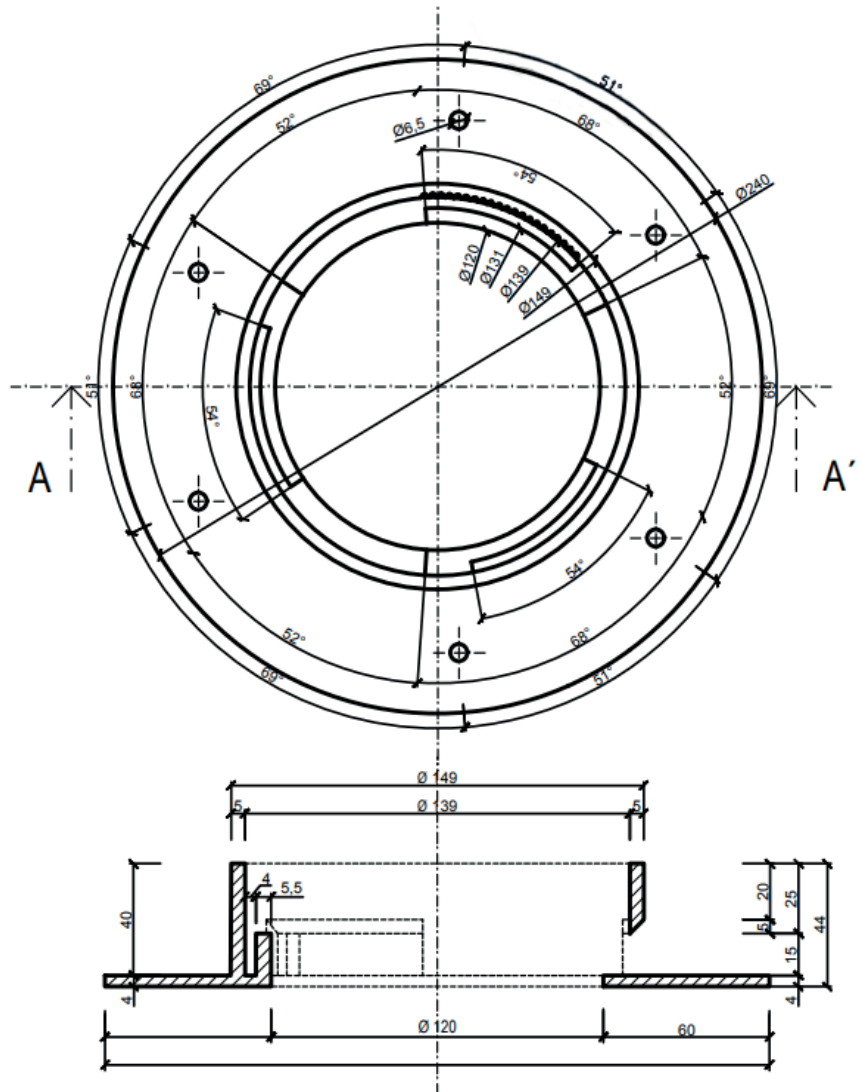


Adjustable Retention Element

Adjustable Retention Element

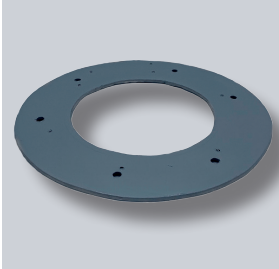
Properties

- Material: Polyamide PA6 with glass fibers
- Positions of the slider: 27



ELEMENTS OF ND AFC-100 ADJUSTABLE FLOW CONTROL

Flange

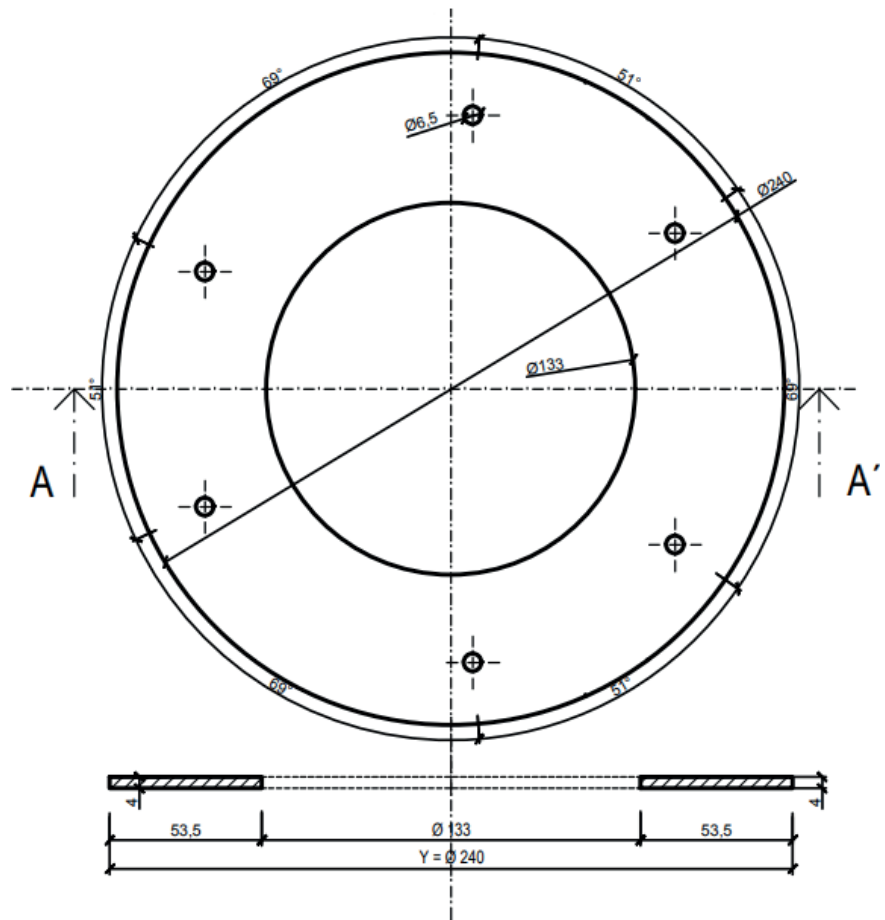


Flange

Flange

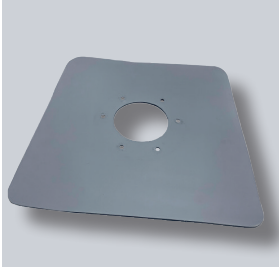
Properties

- Material: Body - Polyamide PA6 with glass fibers



ELEMENTS OF ND AFC-100 ADJUSTABLE FLOW CONTROL

Connection Sleeve

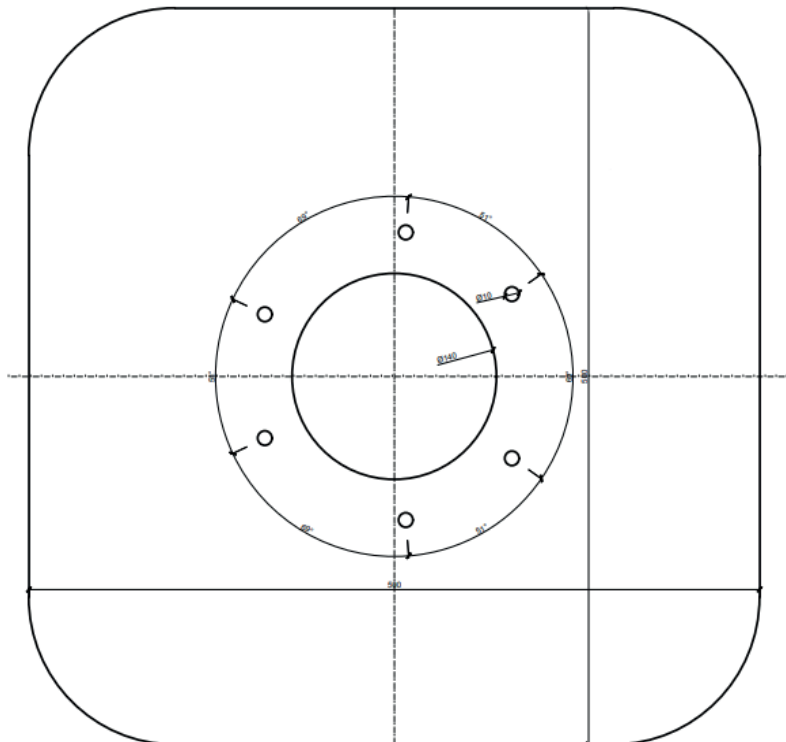


Connection Sleeve

Connection Sleeve

Properties

- Material: To be adjusted to the waterproofing used on site or on the project



Fasteners



Fasteners

Fasteners

Properties

- Material: countersunk screw from stainless steel M6x15 (M6x20 in case of bituminous membranes) with M6 locknut

ELEMENTS OF ND AFC-100 ADJUSTABLE FLOW CONTROL

Overview of flowrate in l/s depending on the position of the slider

Position of AFC-100 slider	Flowrate of ND AFC-100 [l/s]				
	50	65	80	100	150
	Pp(50)	Pp(65)	Pp(80)	Pp(100)	Pp(150)
	[mm]	[mm]	[mm]	[mm]	[mm]
1	0,092650	0,106277	0,118345	0,132740	0,163266
2	0,156252	0,179234	0,199586	0,223863	0,275344
3	0,219855	0,252191	0,280828	0,314986	0,387422
4	0,283457	0,325147	0,362069	0,406109	0,499501
5	0,347059	0,398104	0,443310	0,497232	0,611579
6	0,410661	0,471061	0,524551	0,588355	0,723657
7	0,474263	0,544017	0,605792	0,679477	0,835735
8	0,537865	0,616974	0,687033	0,770600	0,947813
9	0,601468	0,689931	0,768274	0,861723	1,059892
10	0,665070	0,762887	0,849515	0,952846	1,171970
11	0,728672	0,835844	0,930757	1,043969	1,284048
12	0,792274	0,908801	1,011998	1,135092	1,396126
13	0,855876	0,981757	1,093239	1,226215	1,508204
14	0,919478	1,054714	1,174480	1,317337	1,620282
15	0,983081	1,127671	1,255721	1,408460	1,732361
16	1,046683	1,200627	1,336962	1,499583	1,844439
17	1,110285	1,273584	1,418203	1,590706	1,956517
18	1,173887	1,346541	1,499444	1,681829	2,068595
19	1,237489	1,419497	1,580685	1,772952	2,180673
20	1,301091	1,492454	1,661927	1,864075	2,292752
21	1,364694	1,565411	1,743168	1,955198	2,404830
22	1,428296	1,638368	1,824409	2,046320	2,516908
23	1,491898	1,711324	1,905650	2,137443	2,628986
24	1,555500	1,784281	1,986891	2,228566	2,741064
25	1,619102	1,857238	2,068132	2,319689	2,853142
26	1,682704	1,930194	2,149373	2,410812	2,965221
27	1,746306	2,003151	2,230614	2,501935	3,077299